

ROTOBALE
COMPACTION SOLUTIONS

PACK MORE, SPEND LESS



SAFETY FIRST!
Operation & Maintenance Manual
C Series Compactor

Standard Model PSR Model



Rotobale Compaction Solutions Inc.

7232 Arthur Road #5 West, Kenilworth Ontario, N0G 2E0

Ph: 800-565-8027/ Fax: 519-323-3816

www.rotobalecompaction.ca

Rotobale Compaction Solutions Inc.

Kenilworth, Ontario, N0G 2E0

Tele (519) 323-3673 Fax: (519) 323-3816

Model C- Compactor

Operation Manual

TO TURN ON COMPACTOR: Insert the key in the switch and turn it right to the “on” position. If the “power on” light does not illuminate, disengage the emergency stop button (see below) and push start. If the “power on” light still does not illuminate but the “full” light is on; the container needs to be emptied. Turn the key to the “OFF” position when the compactor is not in use. (standard)

EMERGENCY STOP BUTTON: Press to stop the compactor. The compactor will remain in the ‘off’ mode until the emergency stop button is disengaged. To accomplish this; gently pull out on outer edge of the button. The emergency stop button plunger will pop out and the “power on” light will illuminate, allowing the compactor to be started.

75% FULL LIGHT: This light will blink when the ram is traveling forward and pressure inside the charging chamber reaches a preset limit (around 1,000 psi).

FULL LIGHT: When pressure inside the charging chamber reaches a preset limit, (around 1,500 psi), the “full light” will illuminate and the compactor will shut off. The container needs to be emptied

RESET: Turns off the “full light” and resets the system to enable start.

REVERSE BUTTON: Used to put ram in reverse.

PRESSURE GAUGE: (Optional) Indicates compaction pressure.

TIMER: (Optional) Will allow the ram to continuously run through a preset number of complete cycles before the machine shuts off.

AUTOMATIC RUN TIMER: (Optional) will allow the compactor to start automatically at preset Timed interval.

PHOTO EYE: (Optional) will allow the compactor to turn on automatically when debris is placed into ram chamber to a preset height most often from conveyer.

Rotobale Compaction Solutions Inc.

Kenilworth, Ontario, N0G 2E0

Tele (519) 323-3673 Fax: (519) 323-3816

Model C- Compactor **Maintenance Manual**

Hydraulic System:

The manufacturer recommends regular inspection of all hoses and visual inspection of hydraulic components. All inspections must be done with compactor disabled. By doing so the user becomes more familiar with the compactor, which in turn guarantees early detection of possible problems (E.g.: leaks). When inspecting hoses look for cuts, abrasions and fluid. Look for leaks at and around the 'power pack', at all hose connections and inside the rear of the compaction chamber. If any hydraulic fluid is visible, the user should contact the manufacturer. The hydraulic fluid level in the power pack reservoir should be maintained at 2" from the top of the tank, with the ram in the rear position. Only a qualified technician should service any components in the hydraulic system.

Lock Out Procedure:

NOTE: Only qualified technician should perform electrical work on these machines.

The person working on these machines should turn the machine off with the stop button. To turn off and lockout the power supply, follow the electrical supply cord from the machine to the disconnect box on the wall. This box should be located within 30 feet of the machine. Pull the handle down or turn the switch to the "off" position to shut off the electricity. Put a padlock through the holes of the handle or switch and lock it so that it cannot be turned on without removing the lock. Only the person locking out the machine should have a key for the padlock. If more than one person is involved, the person who disconnected and locked out the power supply should communicate the purpose and status of the disconnecting and locking out. A non-conducting tag secured in a conspicuous location may serve this purpose. For more guidelines concerning this procedure, refer to the "Occupational Health and Safety Act and Regulations for Industrial Establishments" section 42.

Warranty:

All equipment designed and manufactured by Rotobale Compaction Solutions Inc. (RCS) carries a (1) year parts and labour guarantee. A Rotobale waste system is constructed of high-grade materials and is guaranteed to perform on a continued basis at its rated capacity. Any parts that prove defective within (1) year from the date of installation will be replaced without charge, provided the purchaser notifies any such defects to RCS.

Some units may be purchased with extended warranties.

Voiding of Warranty:

If the contents of this manual are explicitly followed, the operation of the Rotobale waste system is guaranteed. If however operations are performed in a matter not in accordance with these instructions and a defect appears in the waste system, the owner shall make void the warranty that accompanies their Rotobale machine. In addition, defects resulting from service work not authorized by RCS, shall render the warranty void.

Declaration of Conformance

Pre-Start Health and Safety Review Exemption

Machine Name:	Stationary Compactor
Machine Model:	4260 and C-Series (4260 / C-16 / C-22 / C-26)

Based on the safety component installation instructions and electrical drawings provided, the above items are in compliance with the following standards;

Description	Standards requirement met for compliance
Safety control circuit design	Is in accordance with the manufacturer requirements and CSA Z432, Clause 8.2 Safety control system performance criteria.
Emergency stop	Is in accordance with NFPA 79 Electrical Standard for Industrial Controls, Clause 9.5.2 Stop Functions – Category <0,1>

Rotobale Compaction Solutions Inc declares that the above noted machine has been designed and constructed in accordance with the following standards:

- CAN/CSA Z432-16 – Safeguarding of Machinery
 - ISO 13849-1 - Safety of machinery — Safety-related parts of control systems - Part 1: General principles for design
- CAN/CSA C22.1 – Canadian Electrical Code, Part 1
- SPE-1000 - Model Code for the Field Evaluation of Electrical Equipment

Rotobale Compaction Solutions Inc also declares that the protective elements employed on this machine have been installed according to the manufacturer's instructions.

This document can be used as a declaration that forms a Pre-Start Health and Safety Review Exemption as required by Ontario Regulation 851, Section 7, subsection 10.

This document must be kept readily available in the workplace for as long as the protective element remains or is used in the workplace.

Rotobale Compaction Solutions
7232 Arthur Side Road # 5 West,
Kenilworth, Ontario N0G 2E0
Tele: (519) 323-3673 Fax: (519) 323-3816



RC, 4260 & C Series Compactor - Annual Inspection Report

Customer Name _____ Inspection Date: _____

Make/Model of Equipment _____ Inspected by: _____

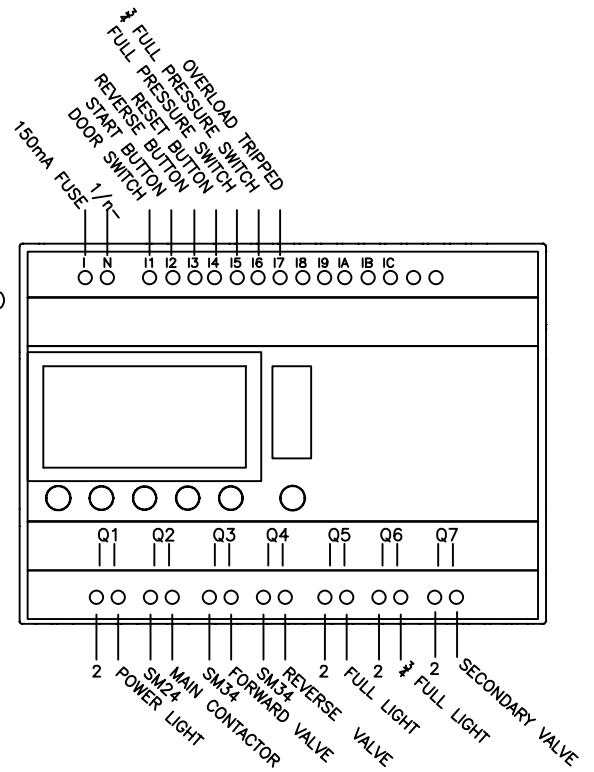
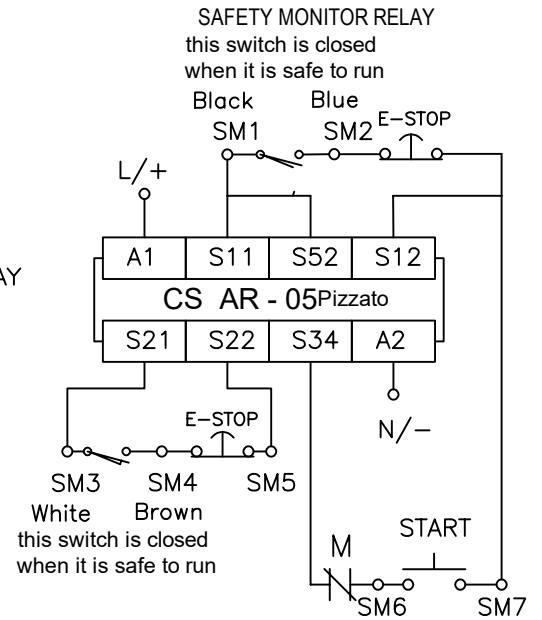
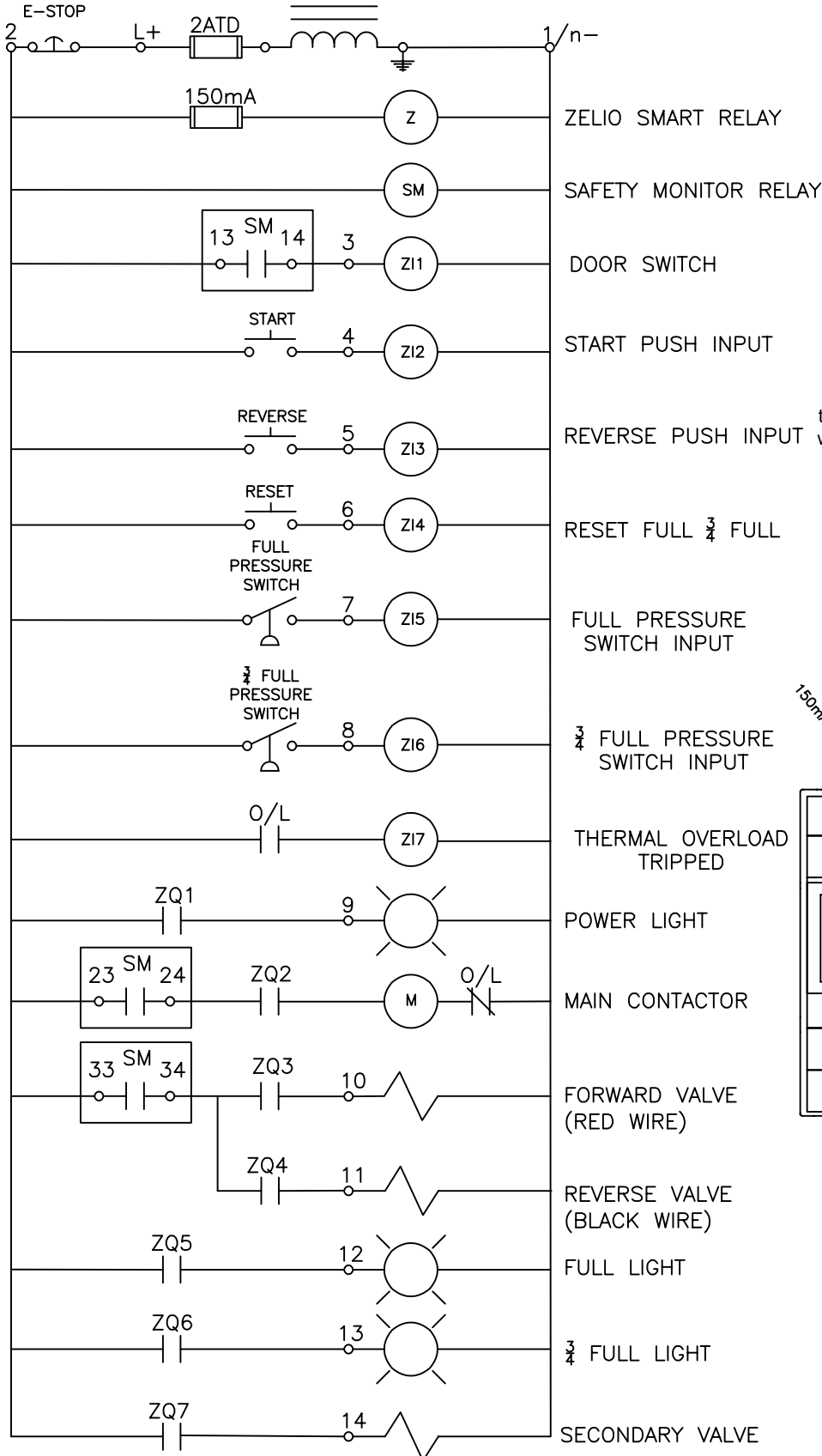
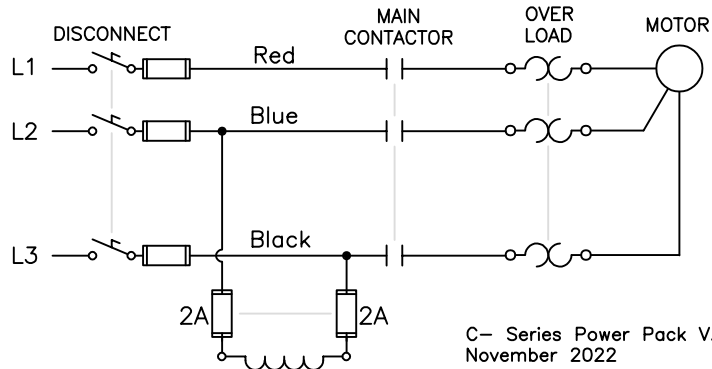
Serial # _____

<u>Powerpack Electrical Inspection Points</u>	Good	Needs Repair	Comments
Check Key Switch			
Check Reset & Reverse Buttons			
Check Emergency Stop Button			
Check all Indicator Lights			
Check Door & Gate Switches (if appl.)			
CAUTION LOCK OUT / TAG OUT			
Check all Electrical Connections in Panel are Tight			
Check all Timers are Secured to Base			
Check Main Supply & Control Fuse Sizing			

<u>Powerpack Hydraulic Inspection Points</u>	Good	Needs Repair	Comments
Check Pump, Suction & Pressure Hoses			
Check Main Valve for Leaks			
Check Relief Valve for Leaks			
Check Oil Level (Down 2" from top of tank when ram up)			

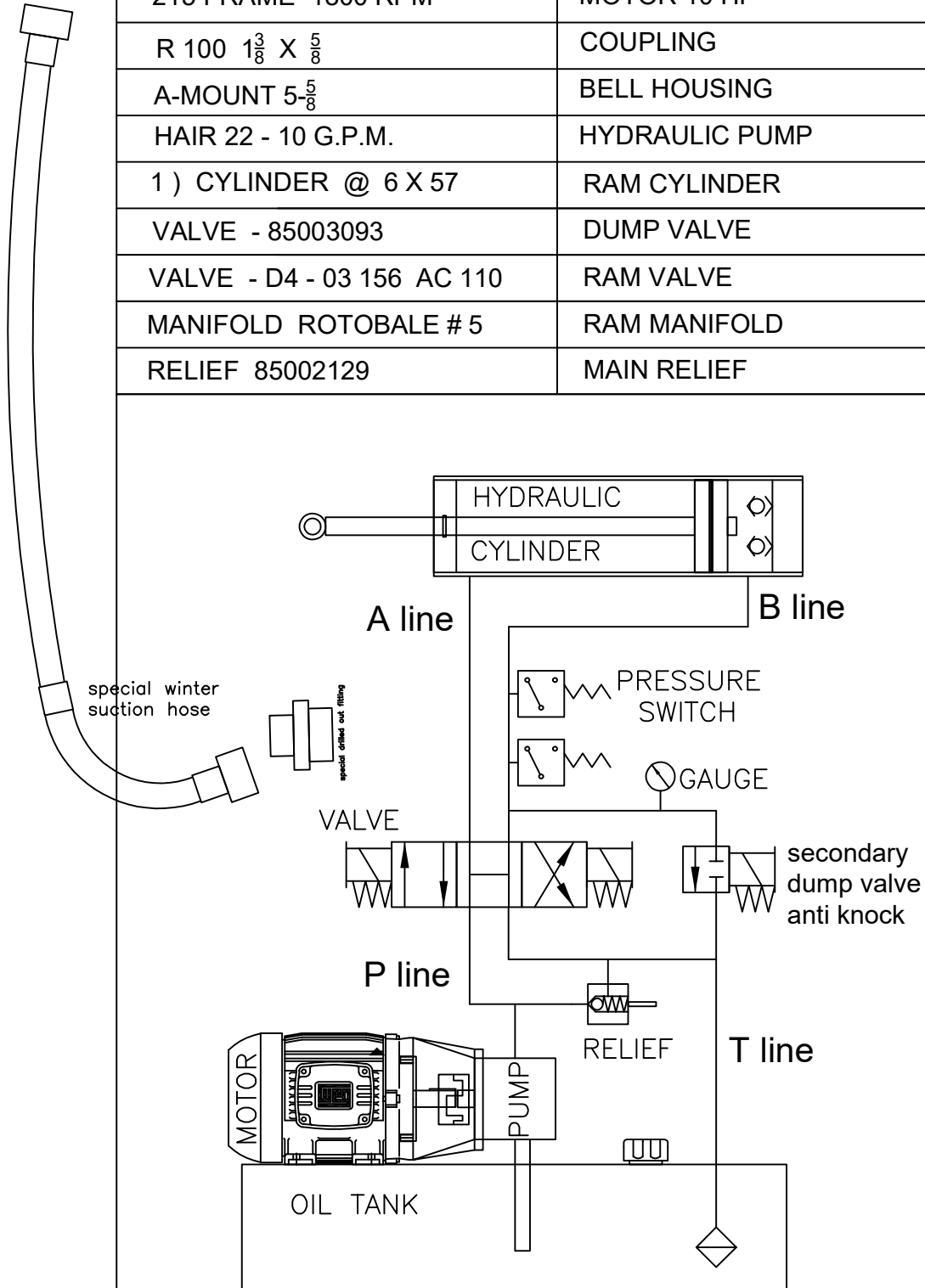
<u>Compactor Inspection Points</u>	Good	Needs Repair	Comments
Check Scraper, Slider & Ram			
Check Cylinder Shaft & Pins are Secure			
Check Cylinder Extend, Retract Hoses			
Check Back Charge Box clear (RC Only)			
Check Cylinder Cover Secure (RC/4260)			
Check Hydraulic Fittings on Side for Leaks			
Check Arm Clamps (Non RC Only)			
Check all Visible Anchor Points (Chute/Encl)			
Check Foam Building Seals (if Appl.)			

<u>Container Inspection Points</u>	Good	Needs Repair	Comments
Check & Grease all Wheels			
Check Door Latching Assembly			
Check Door Seal (RC Only)			
Check Door Chain & Latch			
Check & Grease Ratchet Loadbinder			
Check & Grease Ratchet Arm Lock (if Appl.)			
Check & Grease Door Hinges			
Check Compactor Rails & Guide Island			
Check all Pull Hooks			



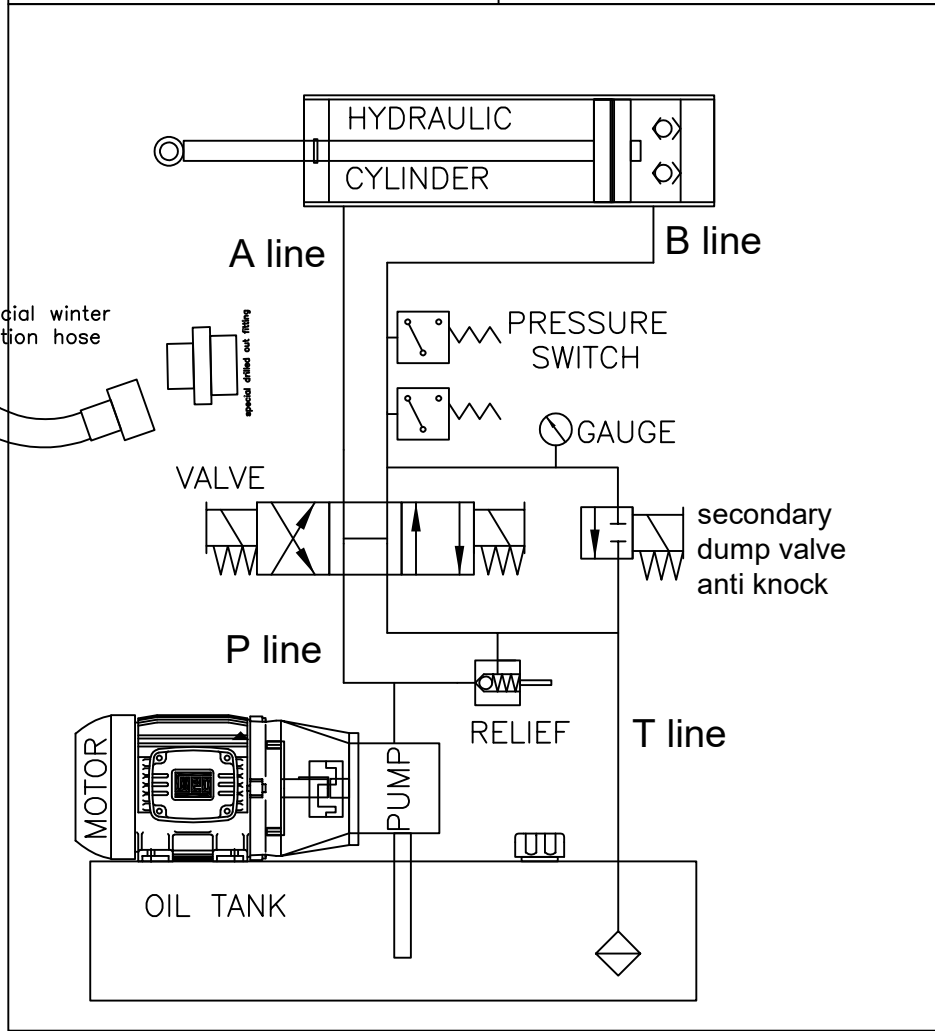
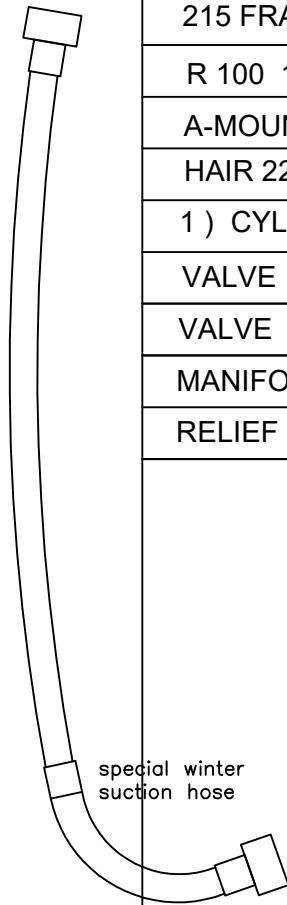
ROTOBALE COMPACTION C -16 HYDRAULICS

PARTS	DESCRIPTION
1) @ $\frac{3}{4}$ X 37 X $\frac{3}{4}$ ENDS	B- CYLINDER HOSE
1) @ $\frac{1}{2}$ X 66 X $\frac{1}{2}$ ENDS	A- CYLINDER HOSE
1) @ 1" X 26 1" ENDS	SUCTION HOSE
1) @ $\frac{1}{2}$ X 18 $\frac{1}{2}$ ENDS	P - HOSE
1) @ $\frac{1}{4}$ X 30 X $\frac{1}{4}$ ENDS	PRESSURE GAUGE HOSE
215 FRAME 1800 RPM	MOTOR 10 HP
R 100 $1\frac{3}{8}$ X $\frac{5}{8}$	COUPLING
A-MOUNT $5\frac{5}{8}$	BELL HOUSING
HAIR 22 - 10 G.P.M.	HYDRAULIC PUMP
1) CYLINDER @ 6 X 57	RAM CYLINDER
VALVE - 85003093	DUMP VALVE
VALVE - D4 - 03 156 AC 110	RAM VALVE
MANIFOLD ROTOBALE # 5	RAM MANIFOLD
RELIEF 85002129	MAIN RELIEF



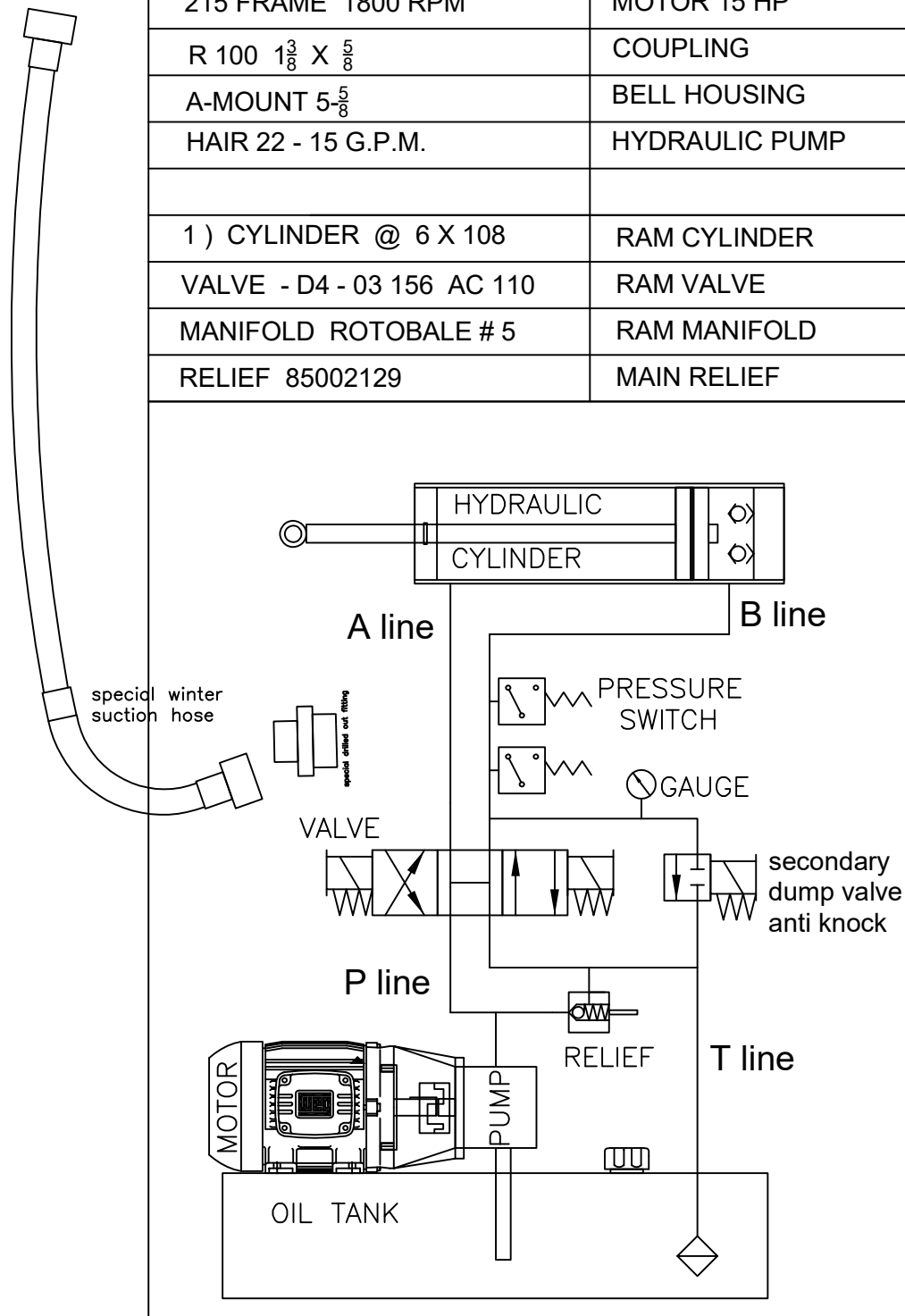
C - 22 HYDRAULICS

PARTS	DESCRIPTION
HOSES	
1) @ $\frac{3}{4}$ X 36 $\frac{1}{2}$ X $\frac{3}{4}$ ENDS	B- CYLINDER HOSE
1) @ $\frac{1}{2}$ X 88 X $\frac{1}{2}$ ENDS	A- CYLINDER HOSE
1) @ 1" X 26 1" ENDS	SUCTION HOSE
1) @ $\frac{1}{2}$ X 18 $\frac{1}{2}$ ENDS	P - HOSE
1) @ $\frac{1}{4}$ X 30 X $\frac{1}{4}$ ENDS	PRESSURE GAUGE HOSE
215 FRAME 1800 RPM	MOTOR 15 HP
R 100 $1\frac{3}{8}$ X $\frac{5}{8}$	COUPLING
A-MOUNT $5\frac{5}{8}$	BELL HOUSING
HAIR 22 - 15 G.P.M.	HYDRAULIC PUMP
1) CYLINDER @ 6 X 78	RAM CYLINDER
VALVE - 85003093	DUMP VALVE
VALVE - D4 - 03 156 AC 110	RAM VALVE
MANIFOLD ROTOBALÉ # 5	RAM MANIFOLD
RELIEF 85002129	MAIN RELIEF



C - 26 HYDRAULICS

PARTS	DESCRIPTION
HOSES	
1) @ $\frac{3}{4}$ X 36 $\frac{1}{2}$ X $\frac{3}{4}$ ENDS	B- CYLINDER HOSE
1) @ $\frac{1}{2}$ X 120 X $\frac{1}{2}$ ENDS	A- CYLINDER HOSE
1) @ 1" X 26 1" ENDS	SUCTION HOSE
1) @ $\frac{1}{2}$ X 18 $\frac{1}{2}$ ENDS	P - HOSE
1) @ $\frac{1}{4}$ X 30 X $\frac{1}{4}$ ENDS	PRESSURE GAUGE HOSE
215 FRAME 1800 RPM	MOTOR 15 HP
R 100 $1\frac{3}{8}$ X $\frac{5}{8}$	COUPLING
A-MOUNT $5\frac{5}{8}$	BELL HOUSING
HAIR 22 - 15 G.P.M.	HYDRAULIC PUMP
1) CYLINDER @ 6 X 108	RAM CYLINDER
VALVE - D4 - 03 156 AC 110	RAM VALVE
MANIFOLD ROTOBAL # 5	RAM MANIFOLD
RELIEF 85002129	MAIN RELIEF



NOCOLUBE AW SERIES

Product Data Sheet

NOCOLUBE AW SERIES

NOCOLUBE AW Series are premium hydraulic fluids formulated from high quality paraffinic base oils that meets severe pump requirements of all major manufacturers. NOCOLUBE AW Series provides outstanding anti-wear protection. The oils will provide excellent long service life under severe industrial and mobile hydraulic applications.

Typical Approvals

Vickers I-286-S, M-2950-S	AFNOR NF-E 48-690/1
Cincinnati Milacron P-68, P-69, P-70	AFNOR E 48-603 HM
Denison HF-0	ISO 11158 TYPE HM
DIN 51524, Part 2	

GENERAL CHARACTERISTICS

NOCOLUBE AW	32	46	68	100	220
Product Code	NOC1657	NOC1658	NOC1659	NOC2778	NOC2779
Appearance	Light Pale	Light Pale	Light Pale	Light Pale	Dark Pale
Flash Pt., COC °C	212	226	234	242	258
Pour Point, °C	-24	-24	-18	-15	-15
Viscosity					
CST @ 40°C	32.0	46.0	68.0	100.0	220.0
CST @ 100°C	5.4	6.7	8.5	11.1	18.7
Rust ASTM D 665B	Pass	Pass	Pass	Pass	Pass
Copper Strip Corrosion	1A	1A	1A	1A	1A
Oxidation Life (hours), ASTM D-943	2500+	2500+	2500+	ND	ND
Viscosity INDEX	104	104	107	95	93

FEATURES

- Outstanding Thermal Stability
- Long Service Life
- Superior Hydrolytic Stability
- Excellent Remissibility
- Low Pour Point
- Qualified Products

BENEFITS

- Reduces sludge and sticking problems in close tolerance components
- Provides superior system cleanliness with reduced oxidation
- protects against rust and corrosion
- Works well when, contaminated with a small amount of water. Readily separates large amounts of water
- Good low temperature performance
- Proven field performance

Don't pollute! Dispose of used oil properly!

Call your NOCO sales representative for details on our Oil Recovery Program.

All reasonable care has been taken to ensure that the above information is accurate as of the date of printing.

NOCO Energy CORP.
Tonawanda, NY 14150
(800) 500-6626

DATE

16 / 03 / 2019

Product Data Sheet

NOCO MULTI-PURPOSE EP#2

NOCO MULTI-PURPOSE EP#2 is compatible with the most popular greases in use today, including Aluminum complex, calcium, calcium complex and lithium grease. It is not compatible with barium Ben tone or poly urea greases.

NOCO MULTI-PURPOSE EP#2 is multi-purpose, premium quality grease made from high viscosity Index base oils and a lithium complex soap thickener system. Because of its outstanding performance Properties, it can be used for the lubrication of machinery under heavy loads and high temperatures in a wide range of automotive, industrial, agricultural, mining and construction applications.

NOCO MULTI-PURPOSE EP#2 can be used to lubricate plain ball and roller bearings in equipment Operating from slow to high speeds and at temperatures ranging from -24°C (15°F) to 170°C (365°F).

TYPICAL PROPERTIES & CHARACTERISTICS

Test Methods	Description	Specification
	NLGI Grade	2
ASTM D 217	Cone penetration @ 77°F , worked 60 strokes	265 - 295
ASTM D 128	Thickener Type	Lithium Complex
ASTM D 128	Thickener Content, %	4 - 7
ASTM D 2265	Dropping Point	168°C , (360°F)
ASTM D 445	Base Oil Viscosity, cut @ 40°C	175 - 180
ASTM D 2270	Viscosity Index	80 min.
VISUAL	Color	Dark Amber
VISUAL	Appearance	Smooth
ASTM D 2509	Timkin OK Load, lbs.	35 min

Don't Pollute! Dispose or used oil properly!

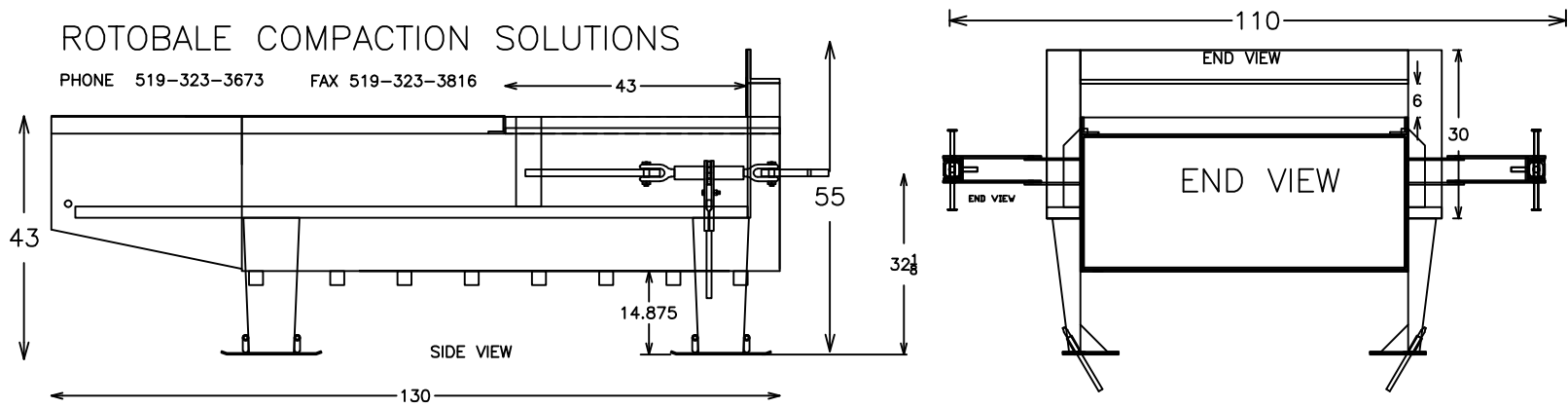
Call your NOCO sales representative for details on our Oil Recovery Program

All reasonable care has been taken to ensure that the above information is accurate as of the date of printing.

NOCO Energy Corp.
Tonawanda, NY 14150
(800) 500-6626

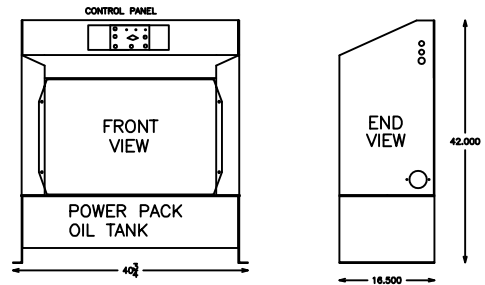
ROTOBALE COMPACTION SOLUTIONS

PHONE 519-323-3673 FAX 519-323-3816



Standard Specification's Model C-16

Attached Bin Size	40	50
WASTE WEIGHT APPROX.	12 TON	15 TON
RAM PENETRATION	14" (WITHIN CONTAINER)	
MOTOR	5 HP	10 HP
PUMP SIZE	5.2 GPM	10.4 GPM
CYCLE TIME	90 SECONDS	45 SECONDS
VOLTS	208 / 575	208 / 575
AMPS	15 / 6	30 / 12

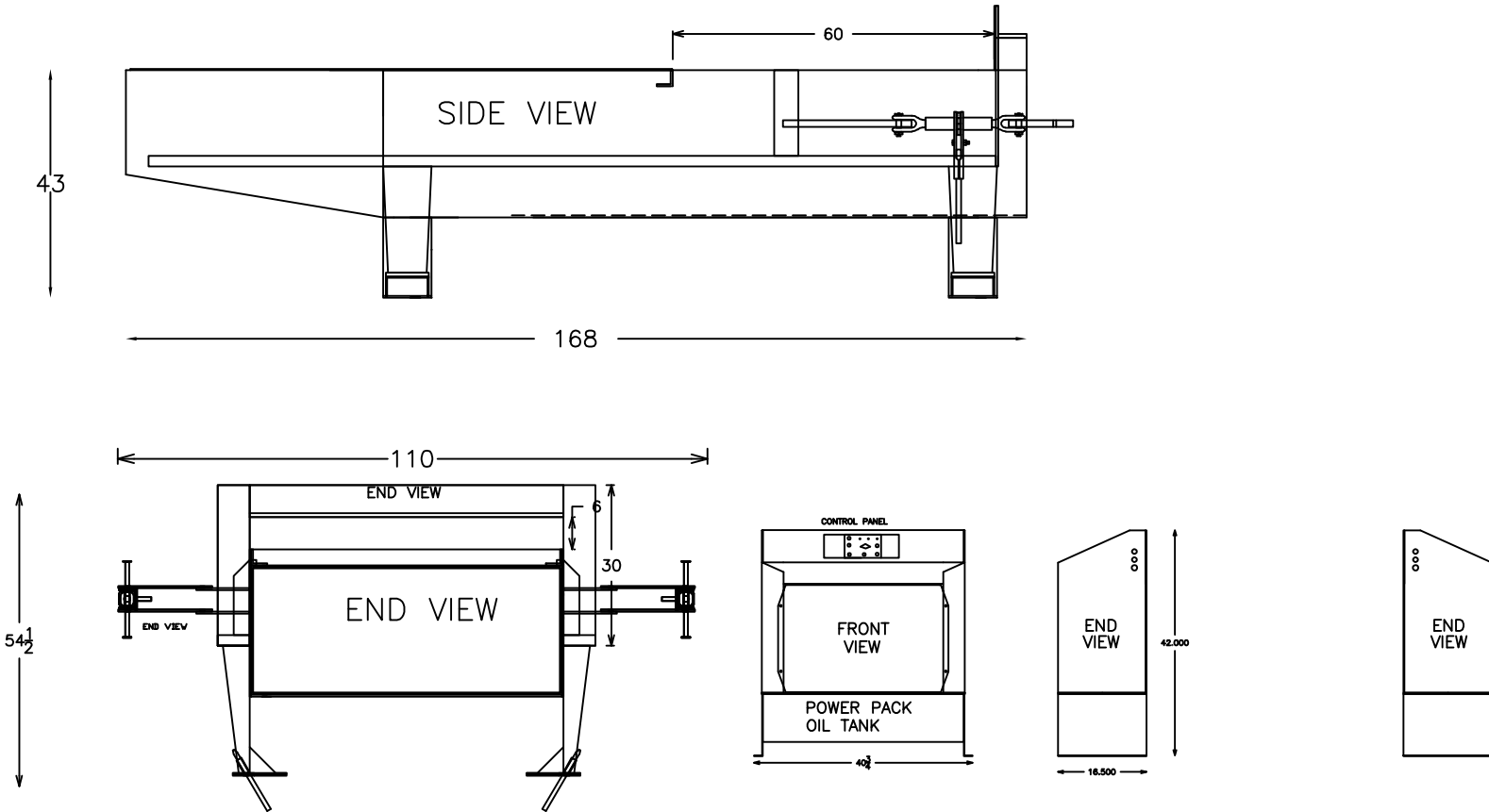


SPECIFICATIONS ARE SUBJECT TO CHANGE WITHOUT NOTICE
TO ACCOMODATE EQUIPMENT IMPROVEMENTS

ROTOBALE COMPACTION SOLUTIONS

PHONE 519-323-3673 FAX 519-323-3816

C-22 STATIONARY COMPACTOR



Standard Specification's Model C-22

Attached Bin Size	40	50
WASTE WEIGHT APPROX.	12 TON	15 TON
RAM PENETRATION	17" (WITHIN CONTAINER)	
MOTOR	5 HP	10 HP
PUMP SIZE	5.2 GPM	10.4 GPM
CYCLE TIME	120 SECONDS	60 SECONDS
VOLTS	208 / 575	208 / 575
AMPS	15 / 6	30 / 12

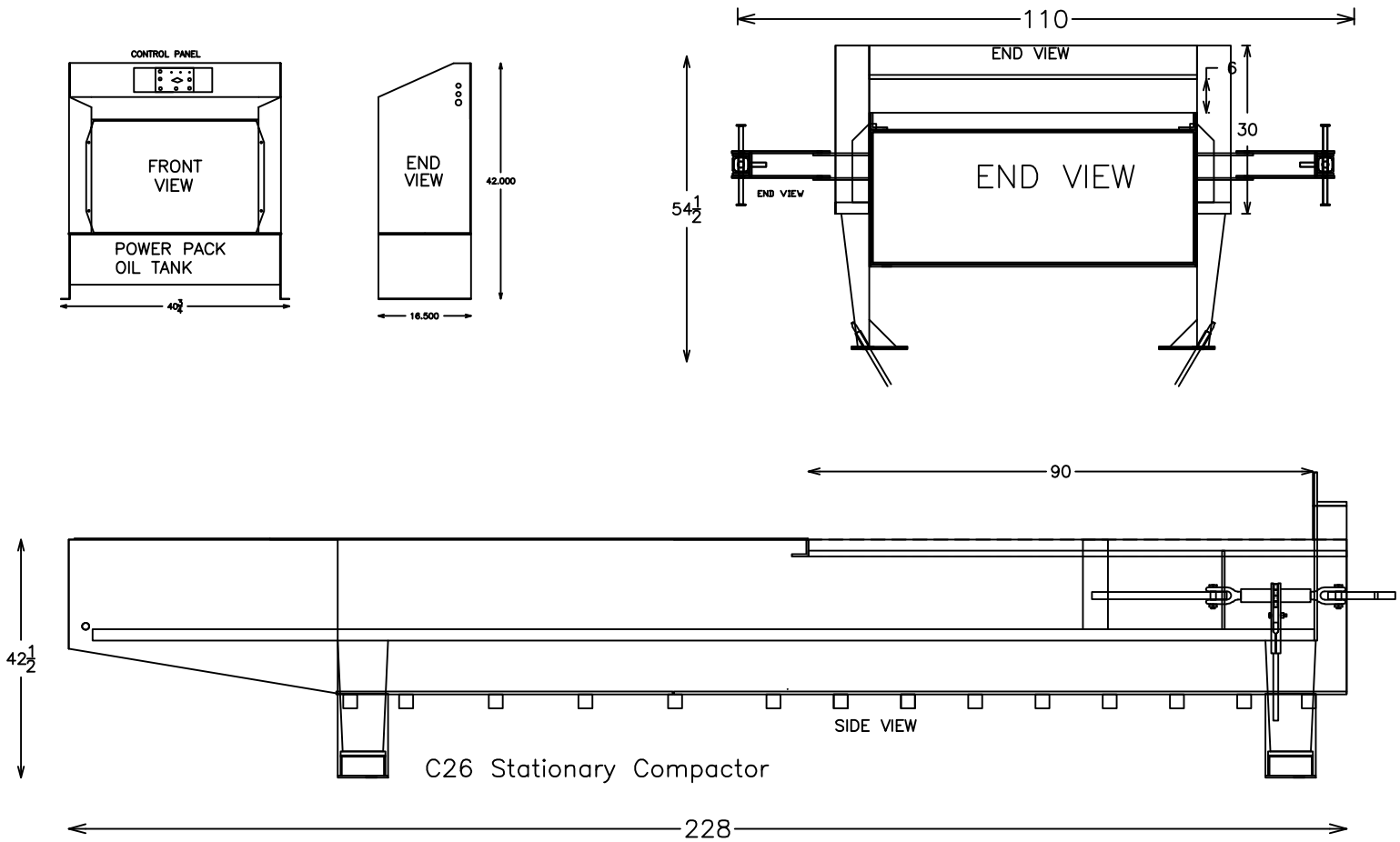
SPECIFICATIONS ARE SUBJECT TO CHANGE WITHOUT NOTICE
TO ACCOMODATE EQUIPMENT IMPROVEMENTS

ROTOBALE COMPACTION SOLUTIONS

KENILWORTH, ONT, CAN, 7232, ARTHUR ROAD # 5, NOG 2E0

TEL: 519-323-3673 FAX: 519-323-3816

C-26 STATIONARY COMPACTOR

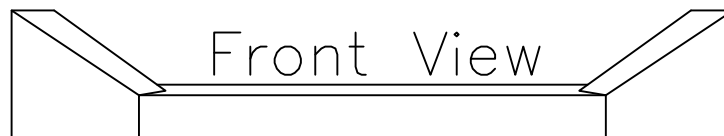
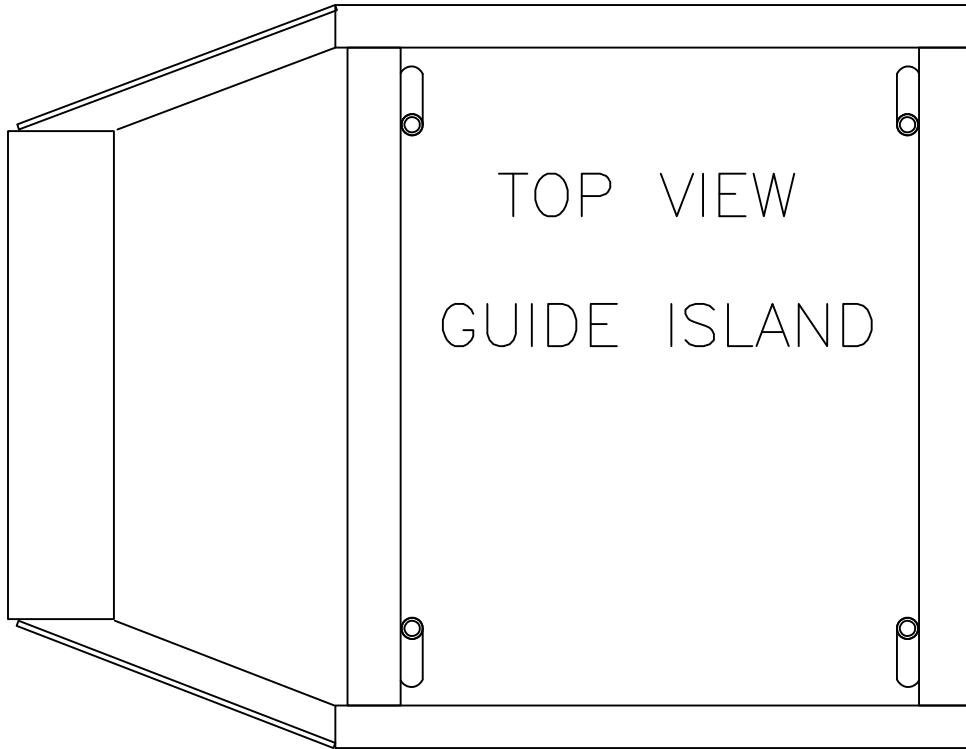


Standard Specification's Model C-26

Attached Bin Size	40	50
WASTE WEIGHT APPROX.	12 TON	15 TON
RAM PENETRATION	17" (WITHIN CONTAINER)	
MOTOR	5 HP	10 HP
PUMP SIZE	5.2 GPM	10.4 GPM
CYCLE TIME	150 SECONDS	75 SECONDS
VOLTS	208 / 575	208 / 575
AMPS	15 / 6	30 / 12

SPECIFICATIONS ARE SUBJECT TO CHANGE WITHOUT NOTICE
TO ACCOMODATE EQUIPMENT IMPROVEMENTS

Please only use pins they will allow for flexibility from shifting and movement from ice and freezing in winter while maintaining good shear strength



DRILL .750 CEMENT BIT ALL THE WAY THROUGH THE CEMENT TO ALLOW WATER TO EXCAPE SO CEMENT WILL NOT BRAKE IN WINTER AND PIN

