

ROTOBALE
COMPACTION SOLUTIONS

PACK MORE, SPEND LESS



SAFETY FIRST!
Operation & Maintenance Manual
RC Series Compactor

Standard Model PSR Model



Rotobale Compaction Solutions Inc.

7232 Arthur Road #5 West, Kenilworth Ontario, N0G 2E0

Ph: 800-565-8027/ Fax: 519-323-3816

www.rotobalecompaction.ca

Rotobale Compaction Solutions Inc.

Kenilworth, Ontario, N0G 2E0

Tele (519) 323-3673 Fax: (519) 323-3816

Models RC (Wet) and 4260 (Dry) Compactors

Operation Manual

TO TURN ON COMPACTOR: Insert key in the key start switch and turn it right to the “start” position. If the **compactor** does not start. Disengage the emergency stop button (see below) if the “full” light is on; (see below) FULL LIGHT Remove key when the compactor is not in use. (standard)

EMERGENCY STOP BUTTON: Press to stop the compactor. The compactor will remain in the ‘off’ mode until the emergency stop button is disengaged. To accomplish this; rotate the knurled outer edge of the button in direction of arrow. The emergency stop button plunger will pop out and the “power on” light will illuminate, allowing the compactor to be started.

75% FULL LIGHT: This light will turn on when the ram is traveling forward and pressure inside the charging chamber reaches a preset limit (around 1,000 psi).

FULL LIGHT: When pressure inside the charging chamber reaches a preset limit, (around 1,500 psi), the “full light” will illuminate and the compactor will shut off. The container needs to be emptied.

RESET: Turns off the “full and 75% light” and resets the system to enable start.

REVERSE BUTTON: Used to put ram in reverse.

PRESSURE GAUGE: (Optional) Indicates compaction pressure.

TIMER: (Optional) Will allow the ram to continuously run through a preset number of complete cycles before the machine shuts off.

Dumper: dumps automatically when compactor is started

Winch Handle: (Optional) Used to pull container into place.

Rotobale Compaction Solutions Inc.
Kenilworth, Ontario, N0G 2E0
Tele (519) 323-3673 Fax: (519) 323-3816
Models RC (Wet) and 4260 (Dry) Compactors

Maintenance Manual

Hydraulic System:

The manufacturer recommends regular inspection of all hoses and visual inspection of hydraulic components. All inspections must be done with compactor disabled. By doing so the user becomes more familiar with the compactor, which in turn guarantees early detection of possible problems (E.g.: leaks). When inspecting hoses look for cuts, abrasions and fluid. Look for leaks at and around the 'power pack', at all hose connections and inside the rear of the compaction chamber. If any hydraulic fluid is visible, the user should contact the manufacturer. The hydraulic fluid level in the power pack reservoir should be maintained at 2" from the top of the tank, with the ram in the rear position. Only a qualified technician should service any components in the hydraulic system.

Lockout Procedure:

NOTE: Only a qualified technician. Should perform work on electrical system

The person working on these machines should turn the machine off with the stop button. To turn off and lockout the power supply, follow the electrical supply cord from the machine to the disconnect box on the wall. This box should be located within 30 feet of the machine. Pull the handle down or turn the switch to the "off" position to shut off the electricity. Put a padlock through the holes of the handle or switch and lock it so that it cannot be turned on without removing the lock. Only the person locking out the machine should have a key for the padlock. If more than one person is involved, the person who disconnected and locked out the power supply should communicate the purpose and status of the disconnecting and locking out. A non-conducting tag secured in a conspicuous location may serve this purpose. For more guidelines concerning this procedure, refer to the "Occupational Health and Safety Act and Regulations for Industrial Establishments" section

Warranty:

All equipment designed and manufactured by Rotobale Compaction Solutions Inc. (RCS) carries a (1) year parts and labour guarantee. A Rotobale waste system is constructed of high-grade materials and is guaranteed to perform on a continued basis at its rated capacity. Any parts that prove defective within (1) year from the date of installation will be replaced without charge, provided the purchaser notifies any such defects to RCS.

Some units may be purchased with extended warranties.

Voiding of Warranty:

If the contents of this manual are explicitly followed, the operation of the Rotobale waste system is guaranteed. If however operations are performed in a matter not in accordance with these instructions and a defect appears in the waste system, the owner shall make void the warranty that accompanies their Rotobale machine. In addition, defects resulting from service work not authorized by R.C.S. shall render the warranty void.

Rotobale Compaction Solutions Inc.
Kenilworth (Ontario) N0G 2E0
Tél. 519-323-3673 Fax: 519-323-3816

Compacteur – modèles RC (humide) et 4260 (sec)

Manuel d'opération

POUR METTRE LE COMPACTEUR SOUS TENSION: insérez la clé dans l'interrupteur de démarrage puis tournez la clé vers la droite jusqu'à la position «DÉMARRER». Si le **compacteur** ne démarre pas, désactivez le bouton d'arrêt d'urgence (voir ci-dessous). Si la lumière qui indique «PLEIN» est allumée (voir PLEIN ci-dessous), retirez la clé lorsque le compacteur n'est pas en service (standard).

ARRÊT D'URGENCE: appuyez sur ce bouton pour arrêter le compacteur. Le compacteur restera en mode «ARRÊT» jusqu'à ce que le bouton d'arrêt d'urgence soit désactivé. Pour ce faire: tournez le rebord extérieur crénelé dans la direction de la flèche. Le poussoir du bouton d'arrêt d'urgence se relèvera et le bouton lumineux «SOUS TENSION» s'allumera, ce qui permettra au compacteur de démarrer.

PLEIN À 75%: cette lumière s'allume lorsque le bélier se déplace vers l'avant et que la pression dans la cellule de chargement atteint une limite prédéterminée (environ 1000 psi).

PLEIN: lorsque la pression dans la cellule de chargement atteint une limite prédéterminée (environ 1500 psi), la lumière qui indique «PLEIN» s'allumera et le compacteur s'arrêtera. Le conteneur doit être vidé.

RESET (réinitialiser): sert à éteindre la lumière qui indique «PLEIN» et «PLEIN À 75%» et à réinitialiser le système pour permettre le redémarrage.

MARCHE ARRIÈRE: ce bouton sert à mettre le bélier en marche arrière.

INDICATEUR DE PRESSION: (facultatif) indique la pression de compactage.

MINUTERIE: (facultative) permet de faire fonctionner le bélier sans arrêt pendant un nombre prédéterminé de cycles complets avant que la machine s'arrête.

Poignée de basculeur: (facultatif) sert à renverser et à verser les conteneurs dans la trémie.

Poignée de treuil: (facultatif) sert à ramener le conteneur en place.

Compacteur – modèles RC (humide) et 4260 (sec)

Manuel d'entretien

Système hydraulique:

Le fabricant recommande des inspections régulières de tous les tuyaux et une inspection visuelle des composants hydrauliques. Toutes les inspections doivent être faites pendant que le compacteur est désactivé. En faisant ces inspections, l'utilisateur se familiarise avec le compacteur, ce qui par ailleurs garantit une rapide détection des problèmes potentiels (p. ex., les fuites). En inspectant les tuyaux, vérifiez s'il y a des coupures, des écorchures, du liquide. Vérifiez s'il y a des fuites sur le «bloc d'alimentation» et autour, à tous les joints de tuyaux et à l'intérieur de la partie arrière du compartiment de compactage. S'il remarque du fluide hydraulique, l'utilisateur doit contacter le fabricant. Le niveau de fluide hydraulique dans le réservoir du «bloc d'alimentation» doit être maintenu à deux (2) pouces du haut du réservoir, le piston étant en position arrière. Seul un technicien qualifié doit faire l'entretien des composants du système hydraulique.

Procédures de verrouillage:

REMARQUE: seul un technicien qualifié doit travailler sur le système électrique
La personne qui travaille sur ces machines doit arrêter la machine en tournant le bouton d'arrêt. Pour couper et verrouiller l'alimentation électrique, suivez le cordon d'alimentation électrique de la machine jusqu'à la boîte de disjoncteur sur le mur. Cette boîte doit être située à 30 pieds de la machine. Tirez la poignée vers le bas ou mettez l'interrupteur à la position «OFF» (arrêt) pour couper le courant. Enfillez un cadenas dans les orifices de la poignée ou de l'interrupteur et verrouillez le tout de façon qu'il soit impossible de mettre la machine en marche sans enlever le cadenas. Seule la personne qui a verrouillé la machine doit avoir une clé pour ce cadenas. Si plus d'une personne est impliquée, la personne qui a débranché et verrouillé l'alimentation électrique doit communiquer le motif et l'état du débranchement et du verrouillage. Une étiquette en matière non conductrice placée dans un endroit discret peut servir à cette fin. Pour des conseils plus détaillés concernant cette procédure, veuillez consulter la section traitant de la Loi sur la santé et la sécurité au travail – Règlement, établissements industriels.

Garantie:

Tout équipement conçu et fabriqué par Rotobale Compaction Solutions Inc. (RCS) comporte une garantie d'un (1) an, pièces et main-d'œuvre. Les systèmes de déchets Rotobale sont construits de matériaux de qualité supérieure et leur fonctionnement continu à capacité nominale est garanti. Toute pièce qui s'avère défectueuse dans un délai d'un (1) an à compter de la date de son installation sera remplacée sans frais, pourvu que l'acheteur informe RCS des défauts constatés. Certaines unités peuvent être achetées avec garantie prolongée.

Annulation de garantie:

Si les instructions de ce manuel sont expressément mises en pratique, le fonctionnement du système de compaction Rotobale est garanti. Toutefois, si l'exploitation du système est effectuée d'une manière non conforme avec les présentes instructions et qu'un défaut apparaît dans le système de compactage de déchet, le propriétaire rend nulle la garantie qui accompagne sa machine Rotobale. En outre, les défauts résultant de travaux d'entretien non autorisés par R.C.S ont pour effet de rendre nulle la garantie.

Declaration of Conformance

Pre-Start Health and Safety Review Exemption

| | |
|----------------|----------------------------------------------------|
| Machine Name: | Self-Contained Compactor |
| Machine Model: | RC – Series (RC-20 / RC-30 / RC-35 / RC-40) |

Based on the safety component installation instructions and electrical drawings provided, the above items are in compliance with the following standards;

| Description | Standards requirement met for compliance |
|-------------------------------|--------------------------------------------------------------------------------------------------------------------------|
| Safety control circuit design | Is in accordance with the manufacturer requirements and CSA Z432, Clause 8.2 Safety control system performance criteria. |
| Emergency stop | Is in accordance with NFPA 79 Electrical Standard for Industrial Controls, Clause 9.5.2 Stop Functions – Category <0,1> |

Rotobale Compaction Solutions Inc declares that the above noted machine has been designed and constructed in accordance with the following standards:

- CAN/CSA Z432-16 – Safeguarding of Machinery
 - ISO 13849-1 - Safety of machinery — Safety-related parts of control systems - Part 1: General principles for design
- CAN/CSA C22.1 – Canadian Electrical Code, Part 1
- SPE-1000 - Model Code for the Field Evaluation of Electrical Equipment

Rotobale Compaction Solutions Inc also declares that the protective elements employed on this machine have been installed according to the manufacturer's instructions.

This document can be used as a declaration that forms a Pre-Start Health and Safety Review Exemption as required by Ontario Regulation 851, Section 7, subsection 10.

This document must be kept readily available in the workplace for as long as the protective element remains or is used in the workplace.

Rotobale Compaction Solutions
7232 Arthur Side Road # 5 West,
Kenilworth, Ontario N0G 2E0
Tele: (519) 323-3673 Fax: (519) 323-3816



RC, 4260 & C Series Compactor - Annual Inspection Report

Customer Name _____ Inspection Date: _____

Make/Model of Equipment _____ Inspected by: _____

Serial # _____

| <u>Powerpack Electrical Inspection Points</u> | Good | Needs Repair | Comments |
|------------------------------------------------------|-------------|---------------------|-----------------|
| Check Key Switch | | | |
| Check Reset & Reverse Buttons | | | |
| Check Emergency Stop Button | | | |
| Check all Indicator Lights | | | |
| Check Door & Gate Switches (if appl.) | | | |
| CAUTION LOCK OUT / TAG OUT | | | |
| Check all Electrical Connections in Panel are Tight | | | |
| Check all Timers are Secured to Base | | | |
| Check Main Supply & Control Fuse Sizing | | | |

| <u>Powerpack Hydraulic Inspection Points</u> | Good | Needs Repair | Comments |
|-----------------------------------------------------------|-------------|---------------------|-----------------|
| Check Pump, Suction & Pressure Hoses | | | |
| Check Main Valve for Leaks | | | |
| Check Relief Valve for Leaks | | | |
| Check Oil Level (Down 2" from top of tank when ram up) | | | |

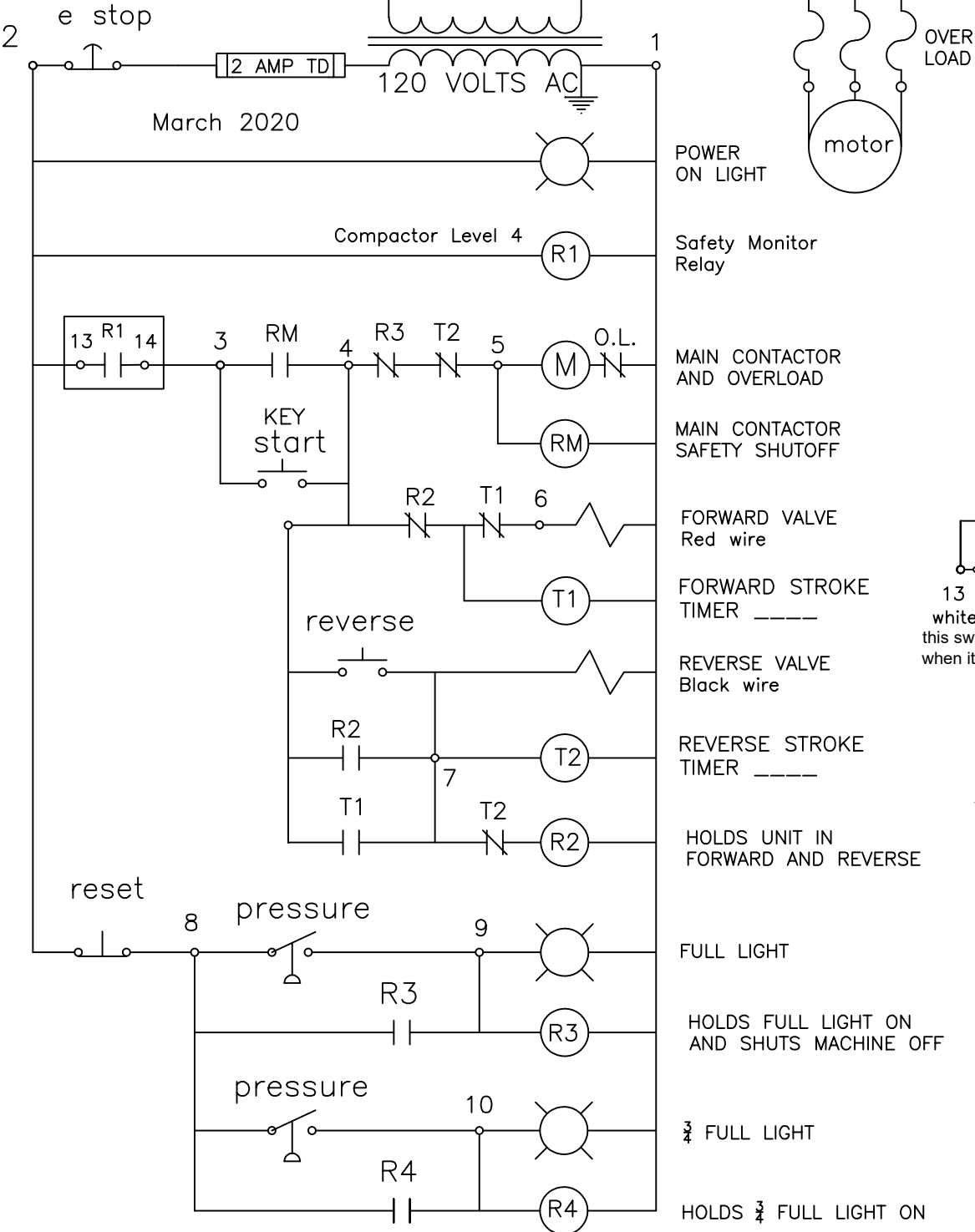
| <u>Compactor Inspection Points</u> | Good | Needs Repair | Comments |
|----------------------------------------------|-------------|---------------------|-----------------|
| Check Scraper, Slider & Ram | | | |
| Check Cylinder Shaft & Pins are Secure | | | |
| Check Cylinder Extend, Retract Hoses | | | |
| Check Back Charge Box clear (RC Only) | | | |
| Check Cylinder Cover Secure (RC/4260) | | | |
| Check Hydraulic Fittings on Side for Leaks | | | |
| Check Arm Clamps (Non RC Only) | | | |
| Check all Visible Anchor Points (Chute/Encl) | | | |
| Check Foam Building Seals (if Appl.) | | | |

| <u>Container Inspection Points</u> | Good | Needs Repair | Comments |
|--------------------------------------------|-------------|---------------------|-----------------|
| Check & Grease all Wheels | | | |
| Check Door Latching Assembly | | | |
| Check Door Seal (RC Only) | | | |
| Check Door Chain & Latch | | | |
| Check & Grease Ratchet Loadbinder | | | |
| Check & Grease Ratchet Arm Lock (if Appl.) | | | |
| Check & Grease Door Hinges | | | |
| Check Compactor Rails & Guide Island | | | |
| Check all Pull Hooks | | | |

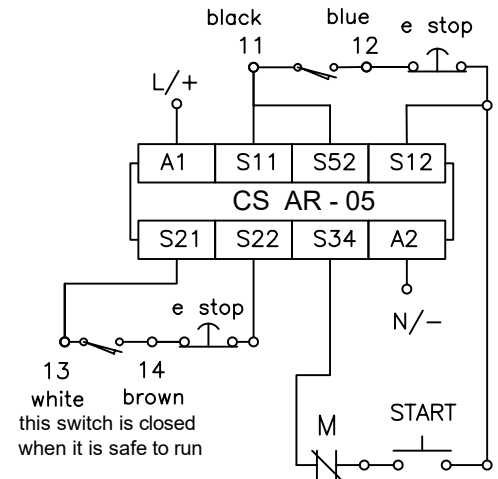
ROTOBALE COMPACTION SOLUTIONS

TEL: 519-323-3673 FAX: 519-323-3816

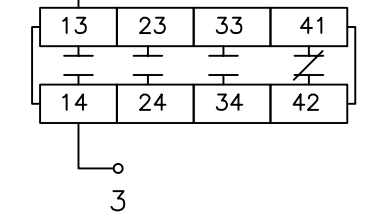
KENILWORTH, ONT, NOG 2E0



R1 SAFETY MONITOR RELAY
Pizzato Switch Inputs
this switch is closed when it is safe to run



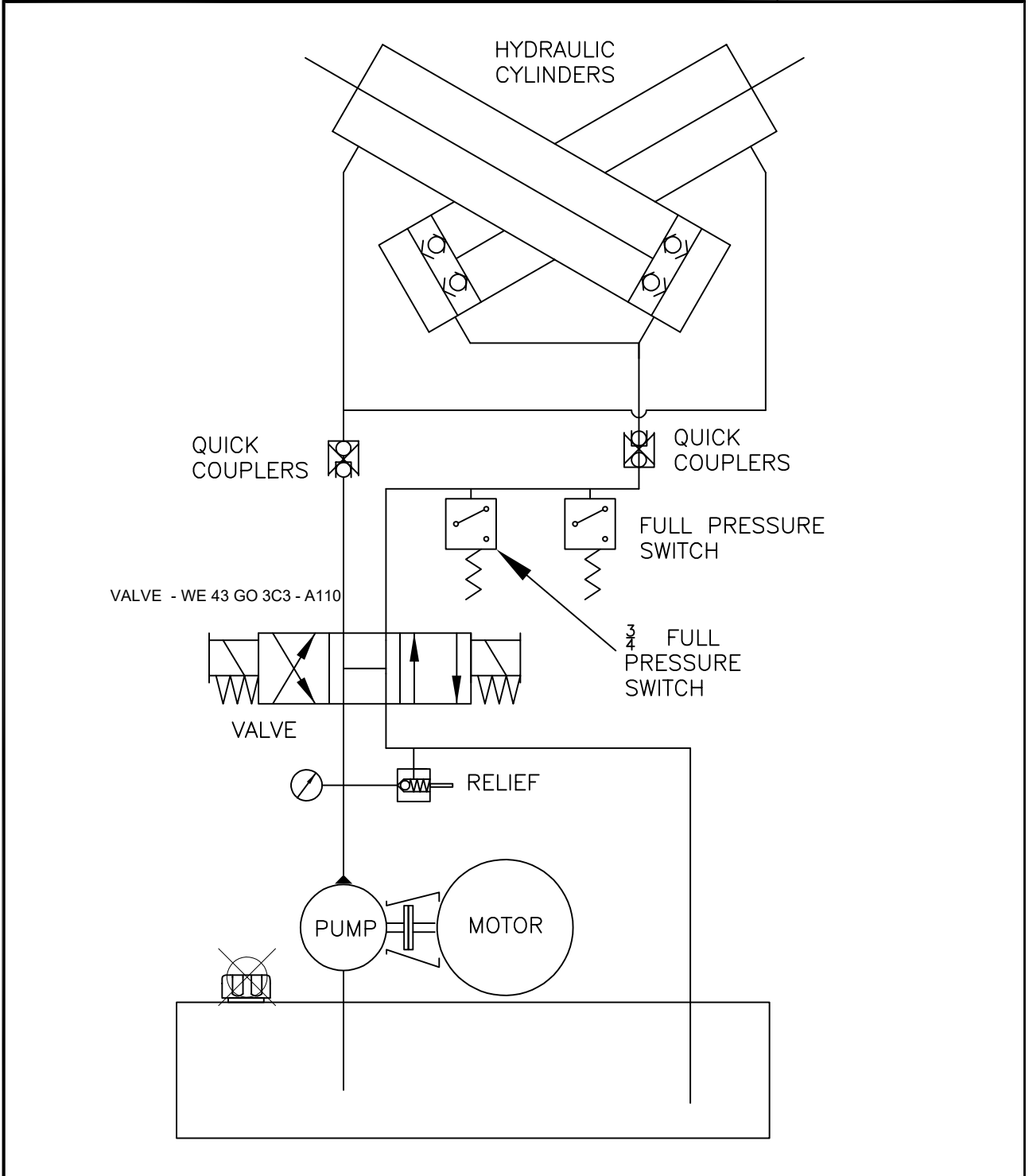
R1 SAFETY MONITOR RELAY
Pizzato Switch Outputs



ROTOBALE COMPACTION SOLUTIONS

Compactor Hydraulics

| PARTS | DESCRIPTION | PARTS | DESCRIPTION |
|---------------------------------------------------------------------------|----------------------------------------------------------------|--------------------------------------|------------------------|
| 03-110-01 | 1) @ $\frac{1}{4}$ " X 30" $\frac{1}{4}$ " ENDS | | |
| 03-190-01 | 2) @ $\frac{1}{2}$ " X 41 $\frac{1}{2}$ " $\frac{1}{2}$ " ENDS | 2) CYLINDER @ $4\frac{1}{2}$ " X 42" | RAM CYLINDERS |
| 03-175-01 | 2) @ $\frac{1}{2}$ " X 25 $\frac{1}{2}$ " $\frac{1}{2}$ " ENDS | | |
| 03-180-01 | 4) @ $\frac{1}{2}$ " X 28" $\frac{1}{2}$ " ENDS | t - to couplng by quick coupler | D4-03-3C3-A156 - AC110 |
| 03-161-01 | 1) @ $\frac{1}{2}$ " X 19" $\frac{1}{2}$ " ENDS | P - HOSE | MANIFOLD ROTOBALE # 5 |
| 03-218-01 | 1) @ $\frac{3}{4}$ " X 26" $\frac{3}{4}$ " ENDS | SUCTION HOSE | RELIEF 85002129 |
| $\frac{1}{4}$ turn changes psi 100 lbs on both relief and pressure switch | | | |
| 215 FRAME 1800 RPM | MOTOR | SW1 DMIC | PRESSURE SWITCH |
| R 100 $1\frac{3}{8}$ " X $5\frac{5}{8}$ " | COUPLING | | |
| A-MOUNT $5\frac{5}{8}$ " | BELL HOUSING | | |
| HAIR 22 - 10 HP | 10 Gal Hydraulic Pump | | |

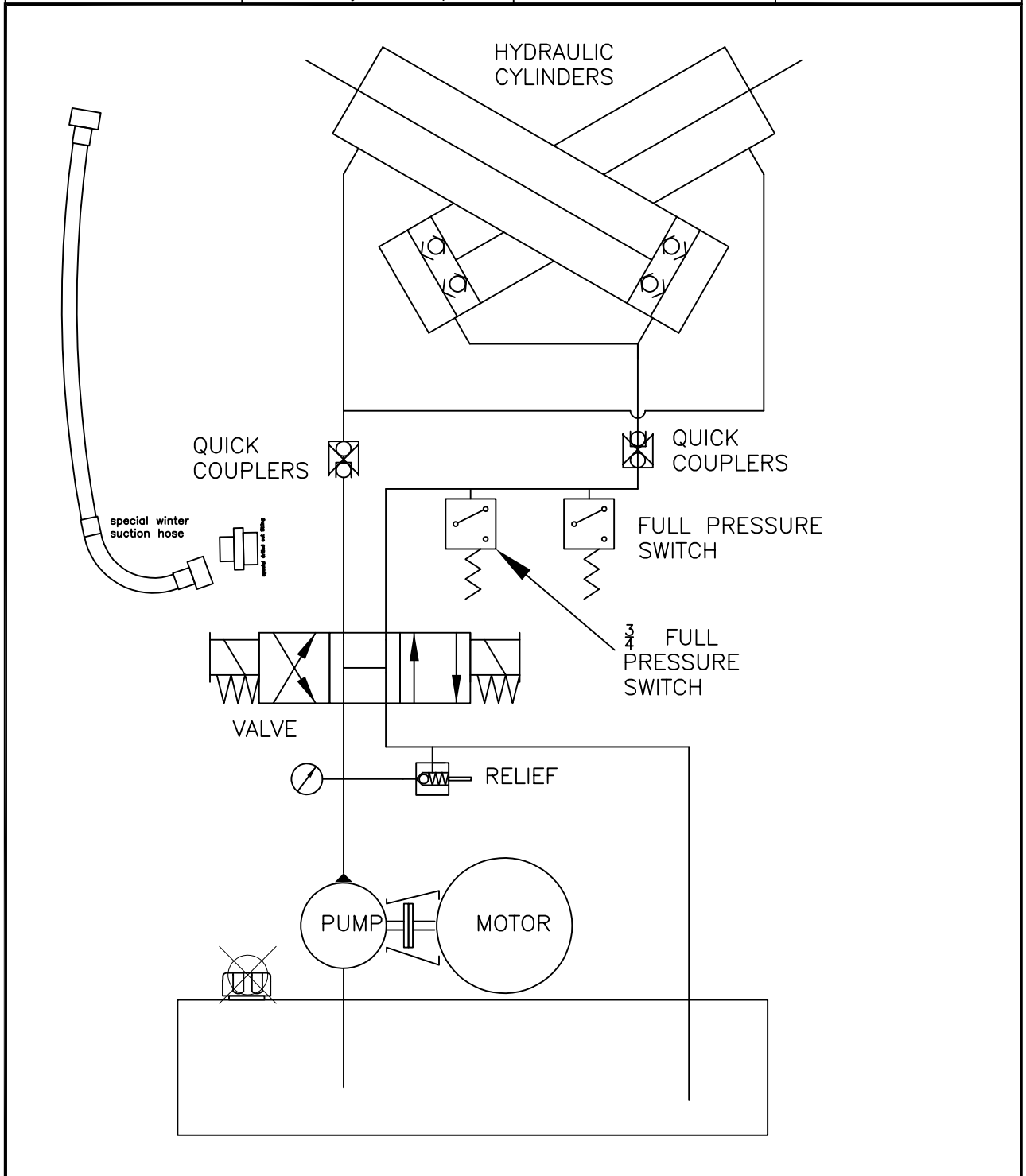


ROTOBALE COMPACTION SOLUTIONS

Compactor Hydraulics

03-110-01
03-190-01
03-175-01
03-180-01
03-161-01
03-219-01

| PARTS | DESCRIPTION | PARTS | DESCRIPTION |
|---------------------------------------------------------------------------|---------------------------------|--------------------------------------|-----------------|
| 1) @ $\frac{1}{4}$ " X 30" $\frac{1}{4}$ " ENDS | Gauge HOSE | | |
| 2) @ $\frac{1}{2}$ " X 41 $\frac{1}{2}$ " $\frac{1}{2}$ " ENDS | CYLINDER HOSE | 2) CYLINDER @ 4 $\frac{1}{2}$ " X 42 | RAM CYLINDERS |
| 2) @ $\frac{1}{2}$ " X 25 $\frac{1}{2}$ " $\frac{1}{2}$ " ENDS | CYLINDER HOSE | | |
| 4) @ $\frac{1}{2}$ " X 28" $\frac{1}{2}$ " ENDS | t - to cupling by quick coupler | D4-03-3C3-A156 - AC110 | RAM VALVE |
| 1) @ $\frac{1}{2}$ " X 19" $\frac{1}{2}$ " ENDS | P - HOSE | MANIFOLD ROTOBALE # 5 | RAM MANIFOLD |
| 1) @ 1" X 26" 1" ENDS | SUCTION HOSE | RELIEF 85002129 | MAIN RELIEF |
| $\frac{1}{4}$ turn changes psi 100 lbs on both relief and pressure switch | | | |
| 215 FRAME 1800 RPM | MOTOR | SW1 DMIC | PRESSURE SWITCH |
| R 100 1 $\frac{3}{8}$ " X $\frac{5}{8}$ " | COUPLING | | |
| A-MOUNT 5 $\frac{5}{8}$ " | BELL HOUSING | | |
| HAIR 22 - 10 HP | 10 Gal Hydraulic Pump | | |



NOCOLUBE AW SERIES

Product Data Sheet

NOCOLUBE AW SERIES

NOCOLUBE AW Series are premium hydraulic fluids formulated from high quality paraffinic base oils that meets severe pump requirements of all major manufacturers. NOCOLUBE AW Series provides outstanding anti-wear protection. The oils will provide excellent long service life under severe industrial and mobile hydraulic applications.

Typical Approvals

| | |
|--------------------------------------|---------------------|
| Vickers I-286-S, M-2950-S | AFNOR NF-E 48-690/1 |
| Cincinnati Milacron P-68, P-69, P-70 | AFNOR E 48-603 HM |
| Denison HF-0 | ISO 11158 TYPE HM |
| DIN 51524, Part 2 | |

GENERAL CHARACTERISTICS

| NOCOLUBE AW | 32 | 46 | 68 | 100 | 220 |
|---------------------------------------|------------|------------|------------|------------|-----------|
| Product Code | NOC1657 | NOC1658 | NOC1659 | NOC2778 | NOC2779 |
| Appearance | Light Pale | Light Pale | Light Pale | Light Pale | Dark Pale |
| Flash Pt., COC °C | 212 | 226 | 234 | 242 | 258 |
| Pour Point, °C | -24 | -24 | -18 | -15 | -15 |
| Viscosity | | | | | |
| CST @ 40°C | 32.0 | 46.0 | 68.0 | 100.0 | 220.0 |
| CST @ 100°C | 5.4 | 6.7 | 8.5 | 11.1 | 18.7 |
| Rust ASTM D 665B | Pass | Pass | Pass | Pass | Pass |
| Copper Strip Corrosion | 1A | 1A | 1A | 1A | 1A |
| Oxidation Life (hours), ASTM D-943 | 2500+ | 2500+ | 2500+ | ND | ND |
| Viscosity INDEX | 104 | 104 | 107 | 95 | 93 |

FEATURES

- Outstanding Thermal Stability
- Long Service Life
- Superior Hydrolytic Stability
- Excellent Remissibility
- Low Pour Point
- Qualified Products

BENEFITS

- Reduces sludge and sticking problems in close tolerance components
- Provides superior system cleanliness with reduced oxidation
- protects against rust and corrosion
- Works well when, contaminated with a small amount of water.
Readily separates large amounts of water
- Good low temperature performance
- Proven field performance

Don't pollute! Dispose of used oil properly!

Call your NOCO sales representative for details on our Oil Recovery Program.

All reasonable care has been taken to ensure that the above information is accurate as of the date of printing.

NOCO Energy CORP.
Tonawanda, NY 14150
(800) 500-6626

DATE

16 / 03 / 2019

Product Data Sheet

NOCO MULTI-PURPOSE EP#2

NOCO MULTI-PURPOSE EP#2 is compatible with the most popular greases in use today, including Aluminum complex, calcium, calcium complex and lithium grease. It is not compatible with barium Ben tone or poly urea greases.

NOCO MULTI-PURPOSE EP#2 is multi-purpose, premium quality grease made from high viscosity Index base oils and a lithium complex soap thickener system. Because of its outstanding performance Properties, it can be used for the lubrication of machinery under heavy loads and high temperatures in a wide range of automotive, industrial, agricultural, mining and construction applications.

NOCO MULTI-PURPOSE EP#2 can be used to lubricate plain ball and roller bearings in equipment Operating from slow to high speeds and at temperatures ranging from -24°C (15°F) to 170°C (365°F).

TYPICAL PROPERTIES & CHARACTERISTICS

| Test Methods | Description | Specification |
|--------------|-------------------------------------------------------------|---------------------------------------------------|
| | NLGI Grade | 2 |
| ASTM D 217 | Cone penetration @ 77°F , worked 60 strokes | 265 - 295 |
| ASTM D 128 | Thickener Type | Lithium Complex |
| ASTM D 128 | Thickener Content, % | 4 - 7 |
| ASTM D 2265 | Dropping Point | 168°C , (360°F) |
| ASTM D 445 | Base Oil Viscosity, cut @ 40°C | 175 - 180 |
| ASTM D 2270 | Viscosity Index | 80 min. |
| VISUAL | Color | Dark Amber |
| VISUAL | Appearance | Smooth |
| ASTM D 2509 | Timkin OK Load, lbs. | 35 min |

Don't Pollute! Dispose or used oil properly!

Call your NOCO sales representative for details on our Oil Recovery Program

All reasonable care has been taken to ensure that the above information is accurate as of the date of printing.

NOCO Energy Corp.
Tonawanda, NY 14150
(800) 500-6626

STANDARD SPECIFICATION

| MODEL | RC | 20 | 30 | 35 | 40 |
|--------------------------|----|------------|----------|-------------|--------|
| LENGTH (A) | | 17 FT | 21 FT | 23 FT | 25 FT |
| CARDBOARD WEIGHT APPROX. | | 2 TON | 3 TON | 3.5 TON | 4 TON |
| WET WEIGHT APPROX. | | 9 TON | 13.5 TON | 16 TON | 18 TON |
| MOTOR | | 5 HP | | 10 HP | |
| PUMP SIZE | | 5.4 G.P.M. | | 10.8 G.P.M. | |
| CYCLE TIME | | 98 SECONDS | | 49 SECONDS | |
| VOLTS | | 208 / 575 | | 208 / 575 | |
| AMPS | | 15 / 6 | | 30 / 12 | |

ROTOBALE COMPACTION SOLUTIONS

KENILWORTH, ONT, CAN, 7232, ARTHUR ROAD # 5, NOG 2EO

TEL: 519-323-3673 FAX: 519-323-3816

COMBINATION COMPACTOR

SPECIFICATIONS ARE SUBJECT TO CHANGE WITHOUT NOTICE
TO ACCOMODATE EQUIPMENT IMPROVEMENTS

